



Premium performance



High load capacity



Extreme temperatures

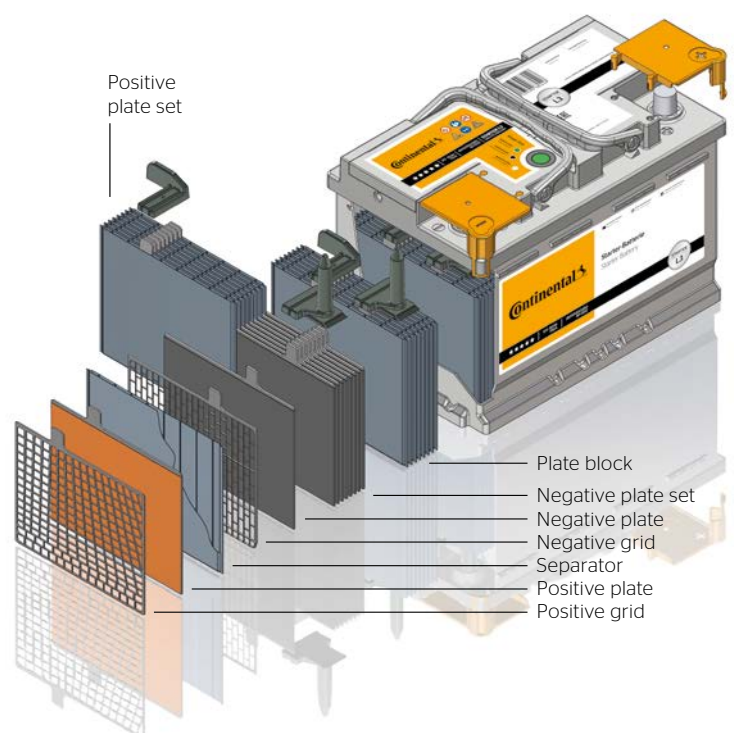


SLI battery with reliable lead acid technology

The Continental starter battery with lead acid technology is ideal for gasoline and diesel vehicles (HDI, TDI) without start-stop system. It impresses with low maintenance requirements and long life and has been designed for demanding climate and weather conditions.

Your advantages at a glance:

- > Ideal for gasoline and diesel vehicles (HDI, TDI) without start-stop system
- > Extreme safety: 100% leakproof
- > Low maintenance - reduced labor and costs
- > Charge monitoring indicator (Magic Eye)
- > Two-year warranty



Lead acid technology: battery construction

More power: our SLI batteries

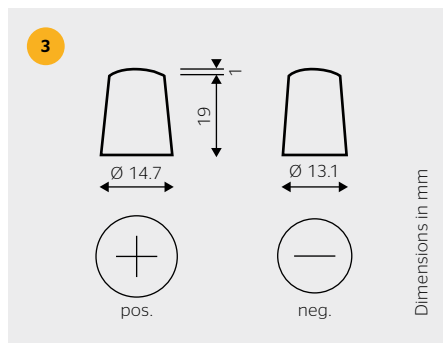
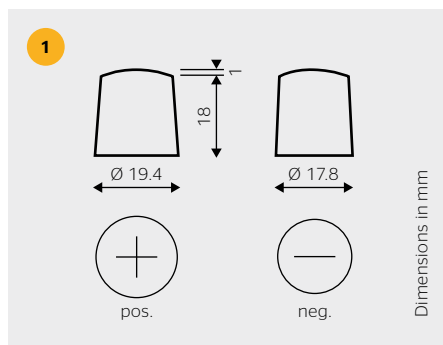
Technical information

Article number	Type	Box	Dimensions (L x W x H in mm)	Weight (kg)	Voltage (V)	Capacity (Ah)	Cold discharge test current (A)	Polarity	Base plate	Circuit
2800012018280	SLI	LB1	209 x 177 x 175	12.93	12	50	500	1	B13	0
2800012019280	SLI	L1	209 x 177 x 190	14.20	12	55	540	1	B13	0
2800012020280	SLI	LB2	244 x 177 x 175	15.18	12	60	580	1	B13	0
2800012021280	SLI	L2	244 x 177 x 190	16.71	12	65	640	1	B13	0
2800012022280	SLI	LB3	280 x 177 x 175	17.74	12	70	680	1	B13	0
2800012023280	SLI	L3	279 x 177 x 190	20.07	12	80	750	1	B13	0
2800012024280	SLI	LB4	317 x 177 x 175	20.33	12	85	760	1	B13	0
2800012025280	SLI	LB5	355 x 177 x 175	22.82	12	90	850	1	B13	0
2800012026280	SLI	L5	355 x 177 x 190	25.40	12	100	900	1	B13	0
2800012027280	SLI	L6	396 x 177 x 190	28.01	12	110	950	1	B13	0
2800012042280*	SLI	L0	175 x 175 x 190	10.81	12	40	370	1	B13	0
2800012043280*	SLI	LB1	241 x 175 x 190	12.24	12	45	440	1	B13	0
New to the portfolio										
2800012044280	SLI ASIA	NS40	185 x 126 x 220	9.21	12	35	280	3	B01	0
2800012045280	SLI ASIA	NS40G	185 x 126 x 220	9.21	12	35	280	3	B01	1
2800012047280	SLI ASIA	NS60	236 x 127 x 220	12.52	12	45	325	3	B01	0
2800012048280	SLI ASIA	NS60G	236 x 127 x 220	12.52	12	45	325	3	B01	1
2800012049280	SLI ASIA	D23	230 x 172 x 221	16.24	12	60	500	1	B01	0
2800012050280	SLI ASIA	D23G	230 x 172 x 221	16.24	12	60	500	1	B01	1
2800012051280	SLI ASIA	D26	259 x 172 x 221	18.24	12	70	610	1	B01	0
2800012052280	SLI ASIA	D26G	259 x 172 x 221	18.24	12	70	610	1	B01	1
2800012053280	SLI ASIA	D31	305 x 172 x 221	22.36	12	91	750	1	B01	0
2800012054280	SLI ASIA	D31G	305 x 172 x 221	22.36	12	91	750	1	B01	1

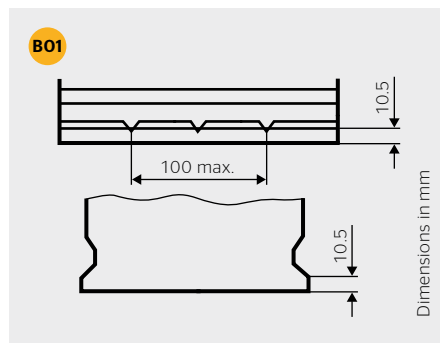
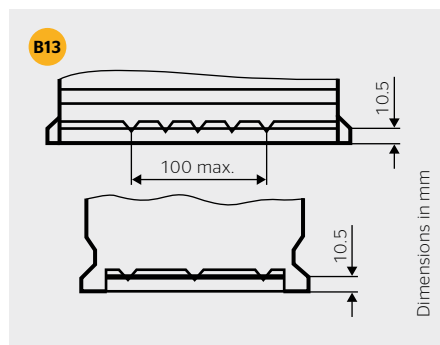
*Batteries coming soon.

Technical details

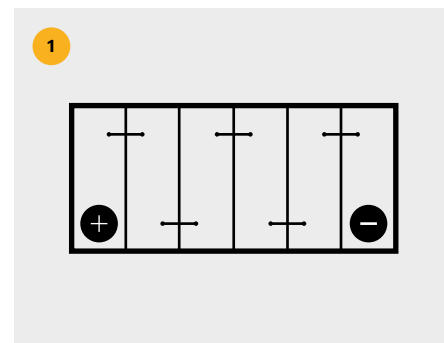
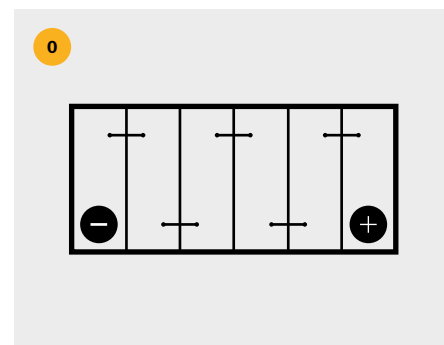
Polarity



Base plate design



Pole arrangement



Ordering information

Article number	Product description	EAN number	No. of/pallet	Weight (kg)/pallet	Packing unit
2800012018280	Starter battery LB1 50/500	4103590680372	60	798	1
2800012019280	Starter battery L1 55/540	4103590680389	60	874	1
2800012020280	Starter battery LB2 60/580	4103590680396	60	842	1
2800012021280	Starter battery L2 65/640	4103590680402	60	924	1
2800012022280	Starter battery LB3 70/680	4103590680419	48	873	1
2800012023280	Starter battery L3 80/750	4103590680426	48	985	1
2800012024280	Starter battery LB4 85/760	4103590680433	42	875	1
2800012025280	Starter battery LB5 90/850	4103590680440	36	844	1
2800012026280	Starter battery L5 100/900	4103590680457	36	936	1
2800012027280	Starter battery L6 110/950	4103590680464	36	974	1
2800012042280*	Starter battery L0 40/370	4103590777041	-	-	1
2800012043280*	Starter battery LB1 45/440	4103590777058	-	-	1
2800012044280	Starter battery ASIA NS40 35/280	4103590771391	76	722	1
2800012045280	Starter battery ASIA NS40G 35/280	4103590771407	76	722	1
2800012047280	Starter battery ASIA NS60 45/325	4103590771414	60	773	1
2800012048280	Starter battery ASIA NS60G 45/325	4103590771421	60	773	1
2800012049280	Starter battery ASIA D23 60/500	4103590771438	60	996	1
2800012050280	Starter battery ASIA D23G 60/500	4103590771445	60	996	1
2800012051280	Starter battery ASIA D26 70/610	4103590771452	48	898	1
2800012052280	Starter battery ASIA D26G 70/610	4103590771469	48	898	1
2800012053280	Starter battery ASIA D31 91/750	4103590771476	30	693	1
2800012054280	Starter battery ASIA D31G 91/750	4103590771483	30	693	1

New to the portfolio

Continental batteries compared



Criteria	EFB battery	AGM battery	SLI battery
Vehicle type	Start-stop	Start-stop and recuperation	Without start-stop (gasoline/diesel vehicles)
Cycle stability	>> 200%**	>> 300%**	100%
Technology	EFB - Enhanced Flooded Battery	AGM - Absorbent Glass Mat	Lead acid
Maintenance	Maintenance-free	Maintenance-free	Low maintenance
Number of battery types	6	4	22
Cold start capacity	115%**	135%**	100%
Specification	OE-equivalent	OE-equivalent	OE-equivalent
Quality level	OEM quality	OEM quality	OEM quality
Suitable for recuperation	-	Yes	-
Deep discharge	Good	Very good	-
Vibration protection	Good	Very good	-
Charge acceptance	Good	Very good	-
Charge monitoring indicator (Magic Eye)	Yes	-	Yes
Leakproof	-	Yes	Yes
Warranty	2 years	2 years	2 years

*Batteries coming soon.

**Compared with conventional batteries.



Continental Aftermarket & Services GmbH
 Sodener Str. 9 · 65824 Schwalbach · Germany
 Phone: +49 69 7603-0
 info@continental-aftermarket.com
 www.continental-aftermarket.com