

UP Series G100-12

GENERAL PURPOSE GEL



Main Features

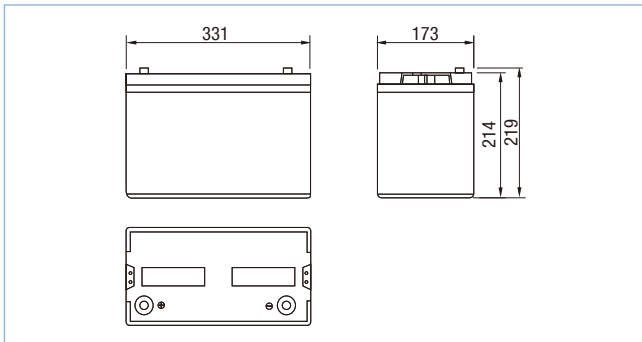
- Longer Design Life**
 Designed for 12 years of service life at 25°C.
- Uniform Electrolyte Distribution**
 Using high quality silica (silicon dioxide) we obtain a uniform electrolyte distribution for a better performance.

Technical Specifications

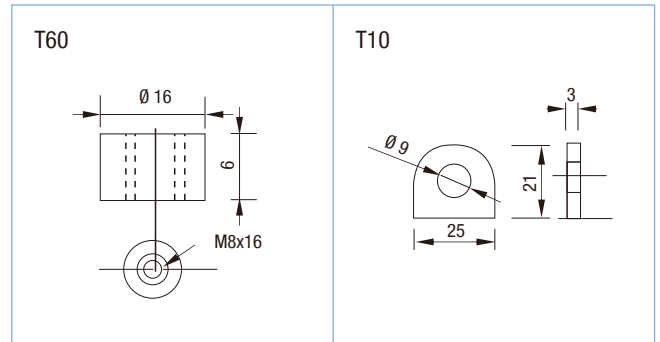
Nominal Voltage (V)		12
Rated Capacity (10 hour rate)		100 Ah
Dimensions	Total Height	233 mm (9.17 inches)
	Height	213 mm (8.39 inches)
	Length	331 mm (13.0 inches)
	Width	173 mm (6.81 inches)
Weight Approx.		29.2 Kg (64.2 lbs)
Capacity 25°C (77°C)	10 hour rate (10.0 A)	100 Ah
	5 hour rate (16.0 A)	80.0 Ah
	1 hour rate (60.0 A)	60.0 Ah
	1.5 hour discharge to 10.5 V	40.0 A
Internal Resistance		Full charged Battery at 25°C (77°C) 6.5 mΩ
Capacity Affected by Temperature (20 hour rate)	40°C (104°C)	102%
	25°C (77°C)	100%
	0°C (32°C)	85%
	-15°C (5°C)	65%
Self-Discharge at 25°C (77°C)	Capacity after 3 month storage	91%
	Capacity after 6 month storage	82%
	Capacity after 12 month storage	64%
Terminal		T60, T10
Charge (Constant Voltage)	Cycle	Initial Charging Current less than 25.0 A Voltage 14.40 - 14.80 V
	Float	Voltage 13.50 - 13.80 V
Design Life		10 Year



Outer Dimensions (mm)



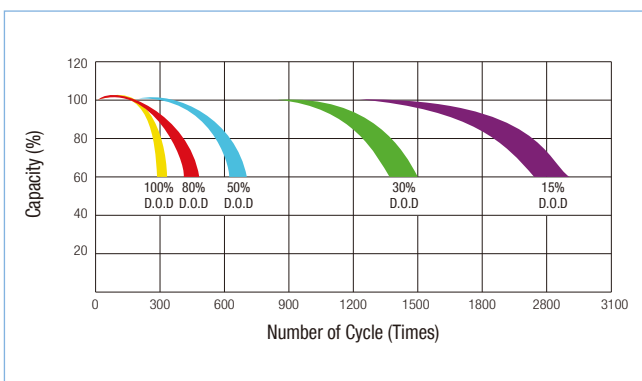
Terminal Type (mm)



Battery Discharge Tables

Constant Current (Amp) and Constant Power (Watt) Discharge Table at 25°C (77°C)											
Time		10min	30min	1h	2h	3h	4h	5h	8h	10h	20h
9.60V	A	198.0	109.0	59.5	34.6	25.8	20.0	16.5	11.6	11.0	5.7
	W	2099	1161	637	374	281	220	182.0	128.6	122.1	63.8
10.20V	A	188.0	108.0	56.0	33.0	25.0	19.5	16.2	11.4	10.4	5.6
	W	2068	1193	622	370	283	221	184	129	117	64
10.50V	A	178.0	101.0	54.5	32.2	24.4	19.2	16.0	11.3	10.2	5.5
	W	1994	1136	616	367	279	221	184	129	117	64
10.80V	A	168.0	93.0	52.5	31.4	23.8	18.9	15.6	11.0	10.0	5.5
	W	1907	1060	601	363	276	220	182	128	117	64
11.10V	A	158.0	83.0	49.5	30.6	23.0	18.3	15.2	10.7	9.8	5.4
	W	1817	959	574	358	270	216	179	126	115	64

Curves of Cycle Life (25°C)



Discharge Curves 25°C (77°C)

